



TECHNICAL DATA KIT

| | |
|-----------------------|---------------|
| MAX FLOW [M3/H] | 4 |
| MAX FLOW (LPM) | 67 |
| MAX HEAD | 117 |
| WORKING AIR TEMP | 0°C – 40°C |
| LIQUID TEMPERATURE | -15°C – 120°C |
| MAXIMUM PUMP PRESSURE | 33 Bar |

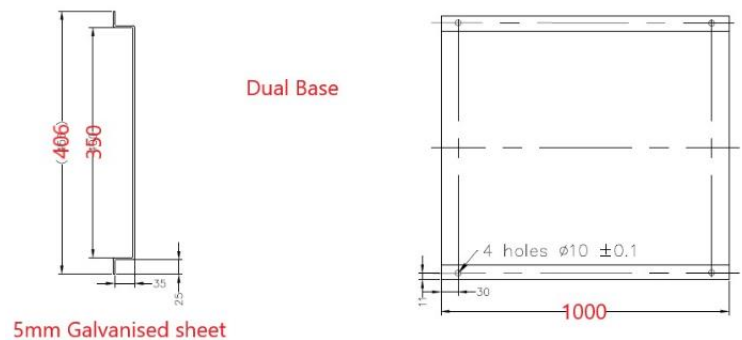
PER PUMP SPECIFICATIONS

| | |
|-----------------------|-----------------------------|
| RATED VOLTAGE CURRENT | Single Phase 230V +10% - 6% |
| RATED CURRENT | 5.35 AMPS |
| POWER (KW) | 1.5 kW 2 Pole |
| CAPACITOR | 200uF start, 35uF run |
| MOTOR IP RATING | IP55 |
| MOTOR INSULATION | Class F |
| MOTOR EFFECIENCY STD | IE3 |
| MOTOR EFFECIENCY | 84.2% |
| COS ϕ | 0.84 |
| MECHANICAL SEAL | AS-L-12 |
| OUTLET DIN FLANGE | DN25 |

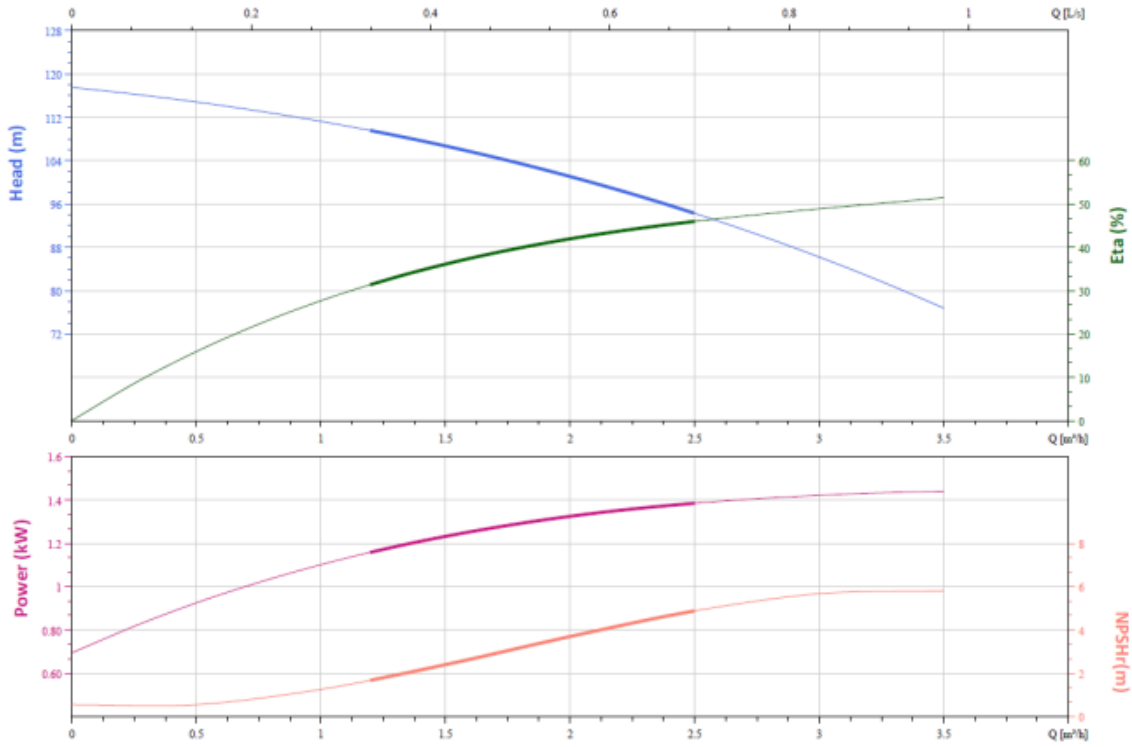
INCLUDES

- VMS Pump
- NXT Drive (Variable Frequency Drive)
- Counter Flange (In DN25 to DN65)
- Fiber Gasket to suit counter flanges
- Watermarked Spring Check Valve
- Manifold (304 Stainless Steel)
- Pressure Transducer
- 30 Bar Liquid Filled Pressure Gauge
- Galvanised Single/Double/Triple
- Ball Valve (304 Stainless Steel)
- Pressure Tank Included in Scope of Supply
- Braided Hose 20 Bar 1.5m 1" BSPF (10/6 only)

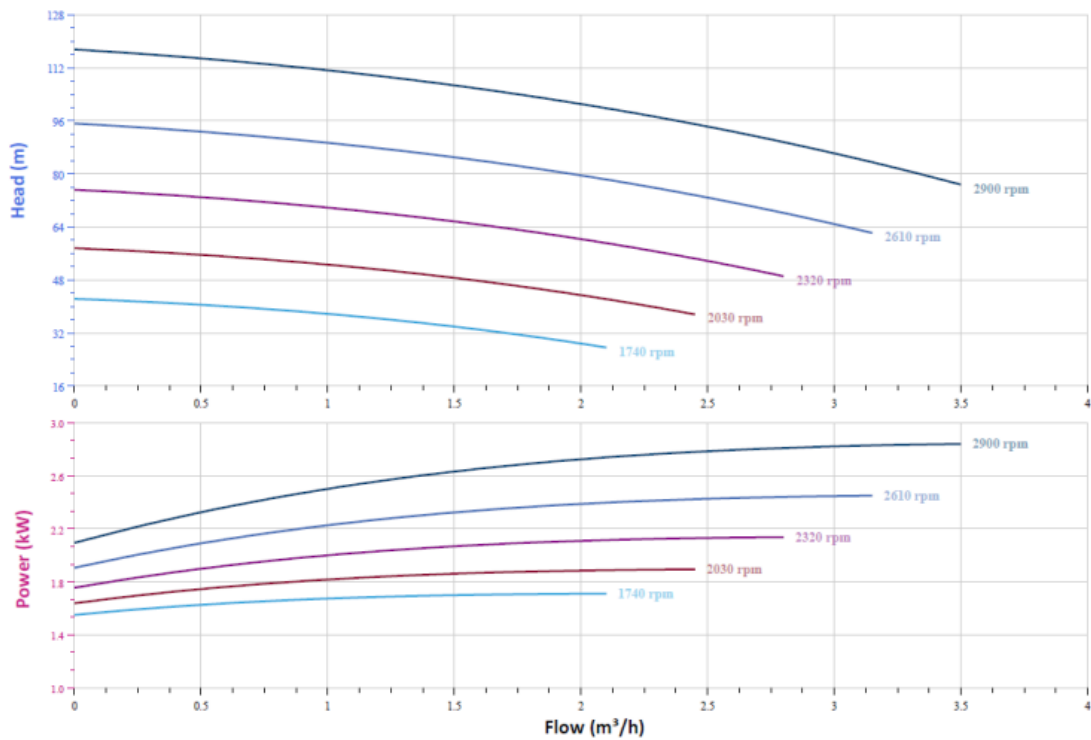
DIMENSIONS



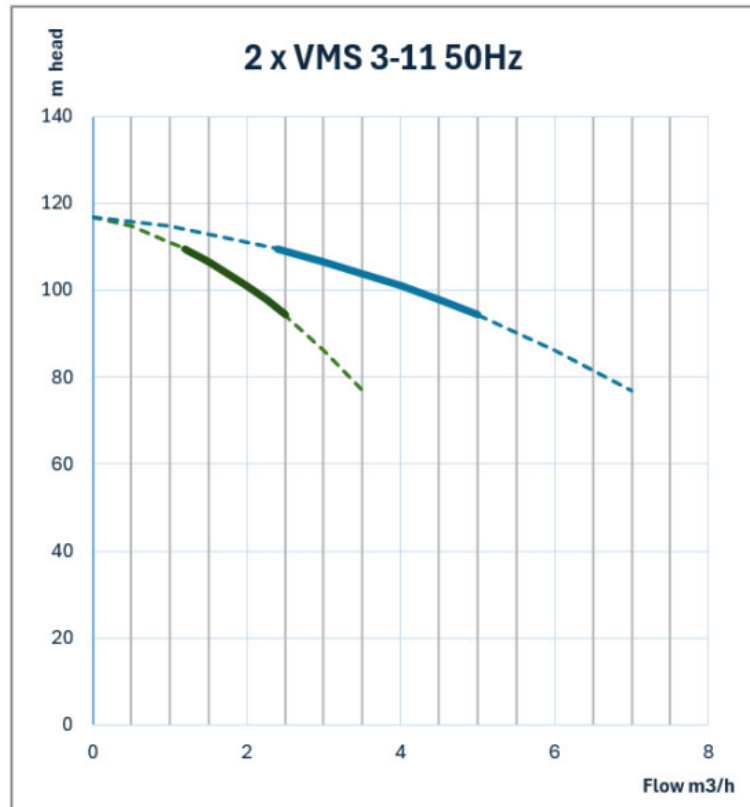
CURVE



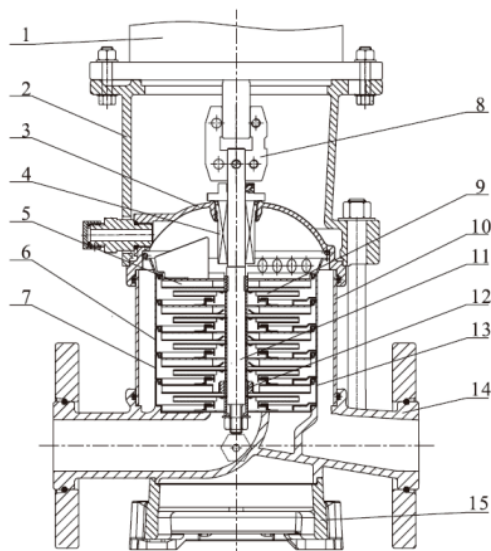
VFD CURVE



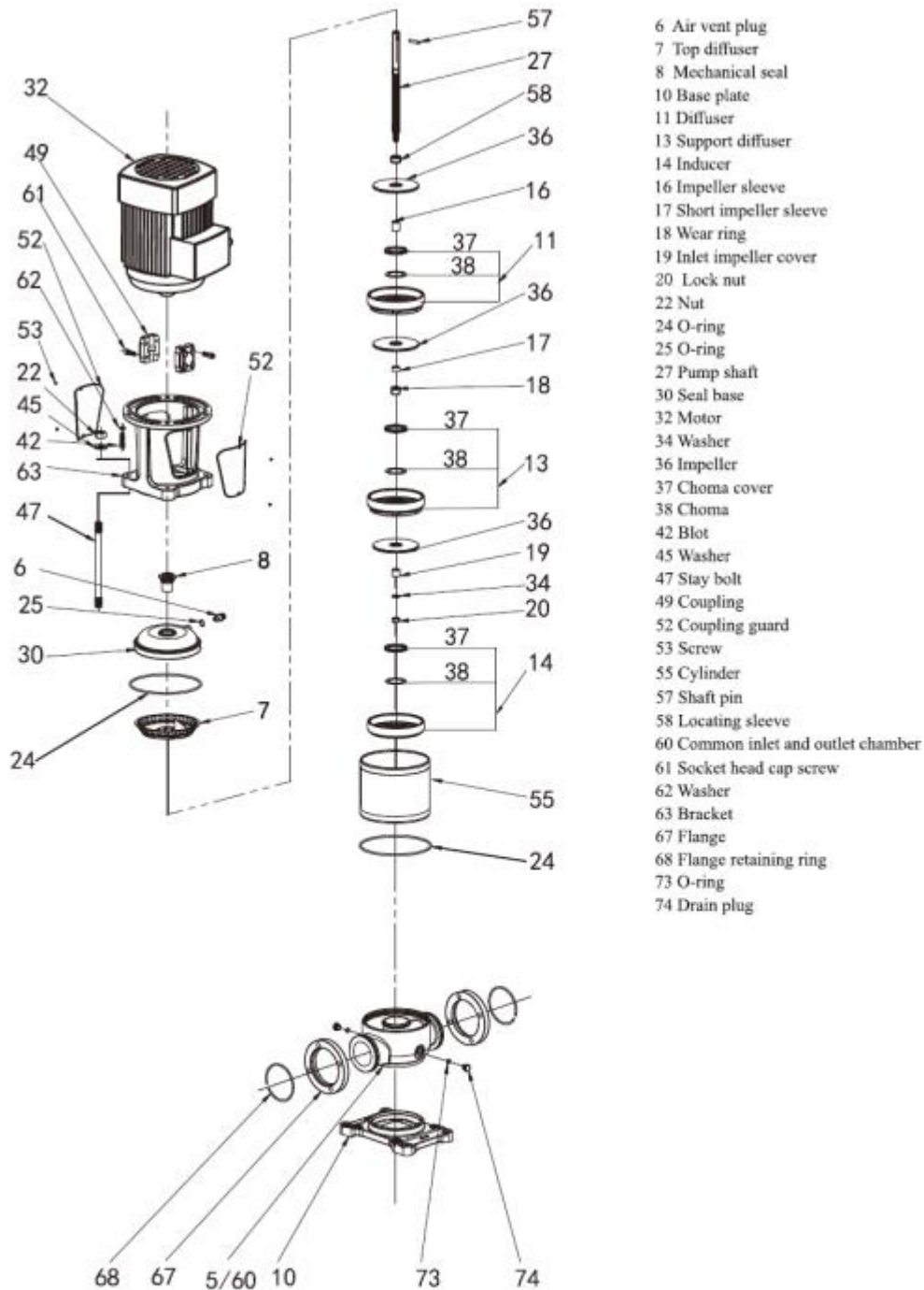
DUAL PUMP CURVE



CUTAWAY & MATERIALS



| | | |
|----|----------------------|-------------------------------------|
| 1 | Motor | / |
| 2 | Bracket | Ductile Cast Iron |
| 3 | Seal Base | Stainless / Ductile Cast Iron |
| 4 | Mechanical Seal | AS-L-16 |
| 5 | Top Diffuser | Stainless Steel |
| 6 | Diffuser | Stainless Steel |
| 7 | Support Diffuser | Stainless Steel |
| 8 | Coupling | Stainless Steel |
| 9 | Impeller | Stainless Steel |
| 10 | Cylinder | Stainless Steel |
| 11 | Shaft | Stainless Steel |
| 12 | Intermediate Bearing | SIC / WC |
| 13 | Inducer | Stainless Steel |
| 14 | Inlet/Outlet Chamber | Stainless Steel / Ductile Cast Iron |
| 15 | Base | Ductile Cast Iron |



- 6 Air vent plug
- 7 Top diffuser
- 8 Mechanical seal
- 10 Base plate
- 11 Diffuser
- 13 Support diffuser
- 14 Inducer
- 16 Impeller sleeve
- 17 Short impeller sleeve
- 18 Wear ring
- 19 Inlet impeller cover
- 20 Lock nut
- 22 Nut
- 24 O-ring
- 25 O-ring
- 27 Pump shaft
- 30 Seal base
- 32 Motor
- 34 Washer
- 36 Impeller
- 37 Choma cover
- 38 Choma
- 42 Blot
- 45 Washer
- 47 Stay bolt
- 49 Coupling
- 52 Coupling guard
- 53 Screw
- 55 Cylinder
- 57 Shaft pin
- 58 Locating sleeve
- 60 Common inlet and outlet chamber
- 61 Socket head cap screw
- 62 Washer
- 63 Bracket
- 67 Flange
- 68 Flange retaining ring
- 73 O-ring
- 74 Drain plug

WARRANTY / CERTIFICATIONS

